

THIS DOCUMENT CONTAINS PROPRIETARY INFORMATION AND EXCEPT WITH WRITTEN PERMISSION BY ADAA, NO PART OF THIS DOCUMENT IS TO BE REPRODUCED, STORED IN A RETRIEVAL SYSTEM, TRANSMITTED, OR USED FOR ANY PURPOSE AND THE DOCUMENT SHALL NOT BE REPRODUCED IN WHOLE OR IN PART.

NOTES UNLESS OTHERWISE SPECIFIED:

1. DESCRIPTION: ASCENSION MODEL SLA-2050ESD PORTABLE LIFT.
2. CHARACTERISTICS:
  - 2.1 WEIGHT: 1200 POUNDS.
- 2.2 MATERIALS:
  - 2.2.1 CAR FRAME, BASE, DOCK PLATE, AND TOE GUARD: ASTM A36 STEEL.
  - 2.2.2 RAMP: ALUMINUM ALLOY.
  - 2.2.3 WINDOWS: TRANSPARENT, HIGH IMPACT THERMOPLASTIC.

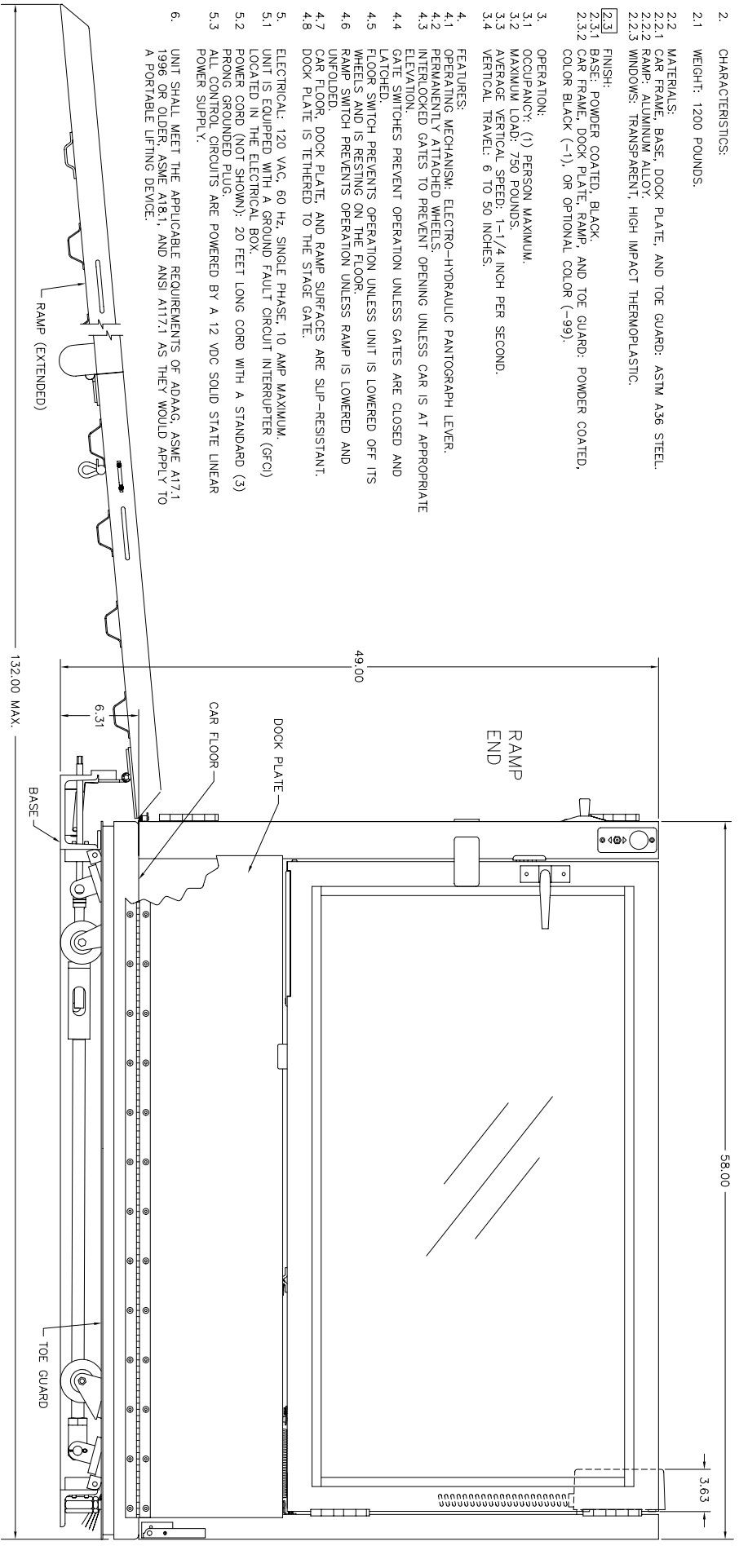
- 2.3 FINISH:
- 2.3.1 BASE, POWDER COATED, BLACK.
  - 2.3.2 CAR FRAME, DOCK PLATE, RAMP, AND TOE GUARD: POWDER COATED, COLOR BLACK (-1), OR OPTIONAL COLOR (-99).

3. OPERATION:
  - 3.1 OCCUPANCY: (1) PERSON MAXIMUM.
  - 3.2 MAXIMUM LOAD: 750 POUNDS.
  - 3.3 AVERAGE VERTICAL SPEED: 1-1/4 INCH PER SECOND.
  - 3.4 VERTICAL TRAVEL: 6 TO 50 INCHES.

4. FEATURES:
  - 4.1 OPERATING MECHANISM: ELECTRO-HYDRAULIC PANTOGRAPH LEVER.
  - 4.2 PERMANENTLY ATTACHED WHEELS.
  - 4.3 INTERLOCKED GATES TO PREVENT OPENING UNLESS CAR IS AT APPROPRIATE ELEVATION.
  - 4.4 GATE SWITCHES PREVENT OPERATION UNLESS GATES ARE CLOSED AND LATCHED.
  - 4.5 FLOOR SWITCH PREVENTS OPERATION UNLESS UNIT IS LOWERED OFF ITS WHEELS AND IS RESTING ON THE FLOOR.
  - 4.6 RAMP SWITCH PREVENTS OPERATION UNLESS RAMP IS LOWERED AND UNFOLDED.
  - 4.7 CAR FLOOR, DOCK PLATE, AND RAMP SURFACES ARE SLIP-RESISTANT.
  - 4.8 DOCK PLATE IS TETHERED TO THE STAGE GATE.

5. ELECTRICAL: 120 VAC, 60 Hz, SINGLE PHASE, 10 AMP MAXIMUM.
- 5.1 UNIT IS EQUIPPED WITH A GROUND FAULT CIRCUIT INTERRUPTER (GFCI) LOCATED IN THE ELECTRICAL BOX.
- 5.2 POWER CORD (NOT SHOWN): 20 FEET LONG CORD WITH A STANDARD (3) PRONG GROUNDED PLUG.
- 5.3 ALL CONTROL CIRCUITS ARE POWERED BY A 12 VDC SOLID STATE LINEAR POWER SUPPLY.

6. UNIT SHALL MEET THE APPLICABLE REQUIREMENTS OF ADAAG, ASME A17.1 1996 OR OLDER, ASME A18.1, AND ANSI A17.1 AS THEY WOULD APPLY TO A PORTABLE LIFTING DEVICE.



PART NO.	COLOR
SLA-2050ESD-1	BLACK
SLA-2050ESD-99	OPTIONAL

ZONE	TR	DESCRIPTION	DATE	APPROVED
C8	A	750 LB CAPACITY WAS 550 LB (NOTE 3.2) 10-27-00 EZ		
D8	B	RAMP HAS BEEN REWORKED THERMOPLASTIC COVERING 3-4-01 EZ		
SH74	C	ADDED SHEET 4, 1-7-02 EZ		
B8	D	ADDED NOTE 6 (APPLICABLE CODES) 11-8-02 EZ		
---	E	UPDATED MAN BOOK 03-173-N 3-00 8-23-03		
SH724	F	ADDED ELECTRICAL CORD 3-00 2-23-04		

SPECIFICATION CONTROL DRAWING

<p>UNLESS OTHERWISE SPECIFIED DIMENSIONS ARE IN INCHES DIMENSIONS ± .25 XXX ±.010 DO NOT SCALE DRAWING</p>	<p>INTEREST CONTACTS AND TOLERANCES (SEE NOTE 17.1-AM-182) UNLESS OTHERWISE SPECIFIED DIMENSIONS ARE IN INCHES DIMENSIONS ± .25 XXX ±.010 DO NOT SCALE DRAWING</p>	<p>DATE: 12-7-99 DRAWN BY: E. ZURCHER CHECKED BY: [ ] DESIGNED BY: [ ] MANUFACTURED BY: [ ]</p>
--	--	---

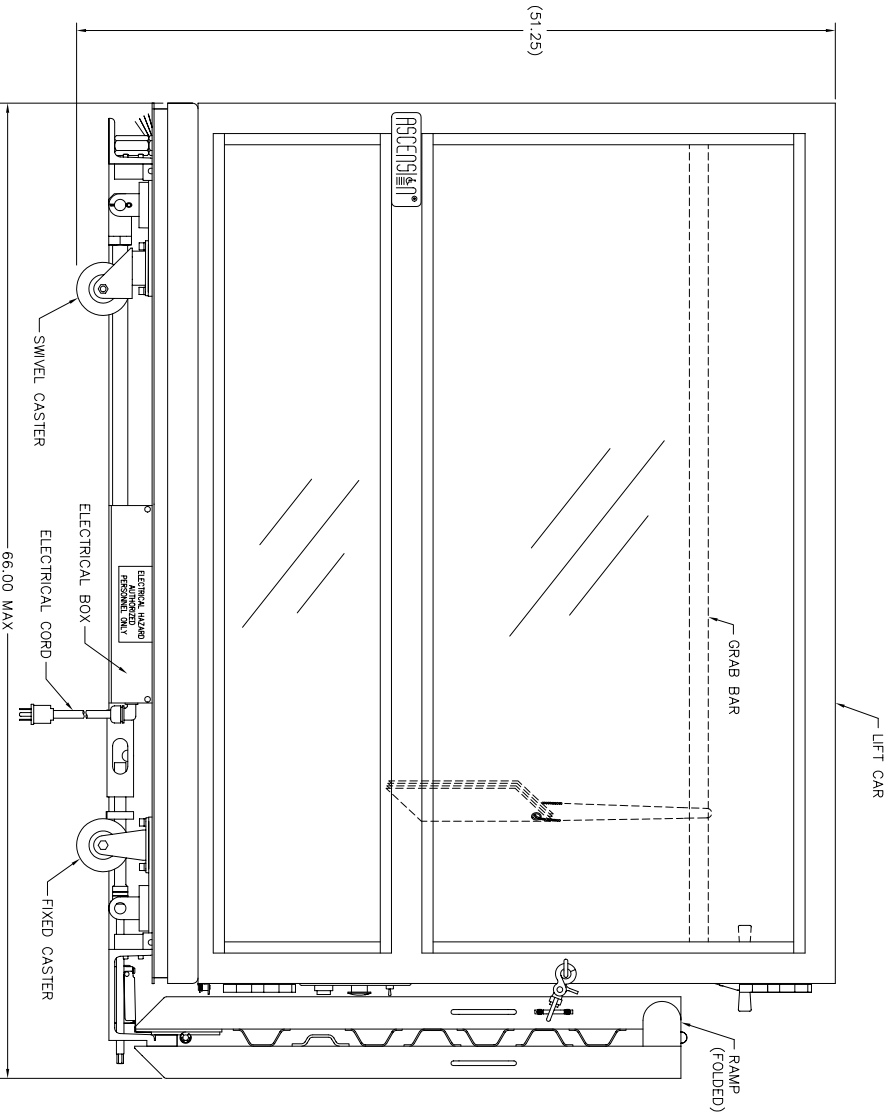
**QGM CONTAINER CONTROLS, INC.**  
P.O. BOX 4000 - INDIAN APOLLO, IN 46777-0000

**PORTABLE WHEELCHAIR  
LIFT ASSEMBLY**

SIZE: FSCM NO. 100-100  
D 08992 SLA-2050ESD F

DATE: 1/3 RELEASE DATE: 1 OF 4

THIS DOCUMENT CONTAINS PROPRIETARY INFORMATION AND EXCEPT WITH WRITTEN PERMISSION BY AECOM, NO PART OF THIS DOCUMENT IS TO BE REPRODUCED, COPIED, OR TRANSMITTED IN ANY FORM OR BY ANY MEANS, ELECTRONIC OR MECHANICAL, INCLUDING PHOTOCOPYING, RECORDING, OR BY ANY INFORMATION STORAGE AND RETRIEVAL SYSTEM. ANY REPRODUCTION OF THIS DOCUMENT SHALL BE CONSIDERED IN VIOLATION OF THE PATENT.



LEFT SIDE

REVISIONS			DATE	APPROVED
ZONE	TRK	DESCRIPTION		
SH11	A	NO CHANGE THIS SHEET.	10-27-00	EZ
---	B	NO CHANGE THIS SHEET.	3-6-01	EZ
---	C	NO CHANGE THIS SHEET.	1-7-02	EZ
---	D	NO CHANGE THIS SHEET.	11-8-02	EZ
---	E	UPDATED IAW BOM 03-173-N	3/01	8-23-03
A4	F	ADDED ELECTRICAL CORD	3/01	Z-23-04

DATE	FSOM NO.	DATE	REV.
10/27/00	D 08992	11/8/02	F
3/6/01	SLA-2050ESD		
1/7/02			
11/8/02			
3/01			
3/01			

DATE 2/9/1 8 7 6 5 4 3 2 1 FILE SLA-2050ESD

THE OCCUPANT CONTRACTOR, PROPRIETARY INFORMATION AND EXCEPT WITH WRITTEN PERMISSION BY AIAA, NO PART OF THIS DOCUMENT IS TO BE REPRODUCED OR TRANSMITTED IN ANY FORM OR BY ANY MEANS, ELECTRONIC OR MECHANICAL, INCLUDING PHOTOCOPYING, RECORDING, OR BY ANY INFORMATION STORAGE AND RETRIEVAL SYSTEM, WITHOUT THE WRITTEN PERMISSION OF AIAA. THIS DOCUMENT IS THE PROPERTY OF AIAA AND IS TO BE RETURNED TO AIAA UPON COMPLETION OF THE PROJECT. ANY REPRODUCTION OR TRANSMISSION OF THIS DOCUMENT IN ANY FORM OR BY ANY MEANS, ELECTRONIC OR MECHANICAL, INCLUDING PHOTOCOPYING, RECORDING, OR BY ANY INFORMATION STORAGE AND RETRIEVAL SYSTEM, WITHOUT THE WRITTEN PERMISSION OF AIAA, IS PROHIBITED. THIS DOCUMENT IS THE PROPERTY OF AIAA AND IS TO BE RETURNED TO AIAA UPON COMPLETION OF THE PROJECT.

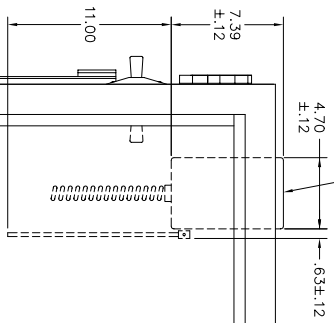
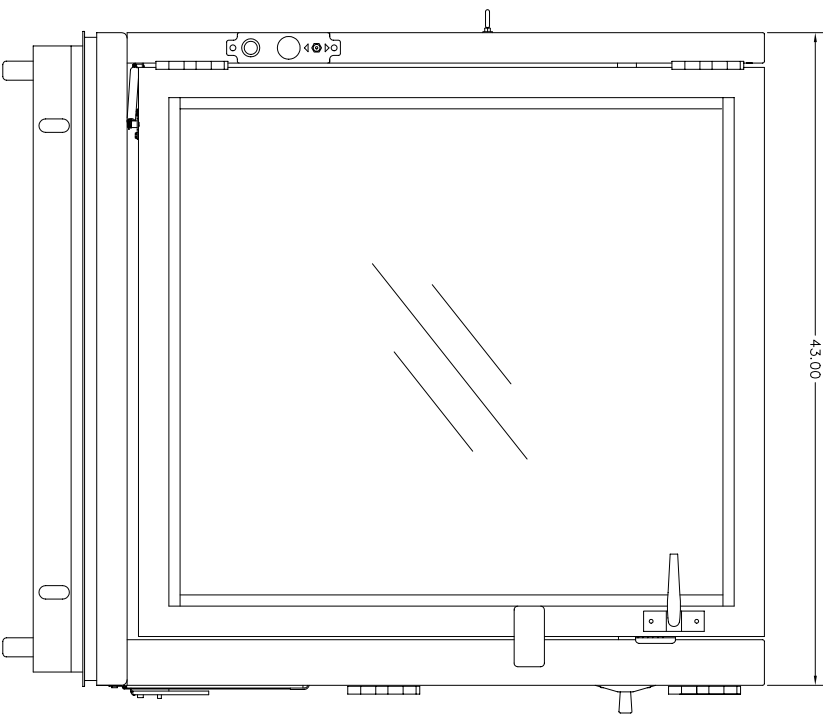
RAMPE END  
(RAMPE NOT SHOWN)

STAGE  
SIDE

STAGE BOX

BACK END

ZONE	TR	DESCRIPTION	DATE	APPROVED
SHIFT	A	NO CHANGE THIS SHEET.	10-27-00	EZ
B1	B	2X 1.75 WAS 2X 2.00 TO EDGE OF RAMPE	3-6-01	EZ
C	C	NO CHANGE THIS SHEET	1-7-02	EZ
D	D	NO CHANGE THIS SHEET	11-8-02	EZ
E	E	UPDATED IAW BOM 03-175-N	8-23-03	EZ
F	F	NO CHANGE THIS SHEET	3-00	Z-23-04



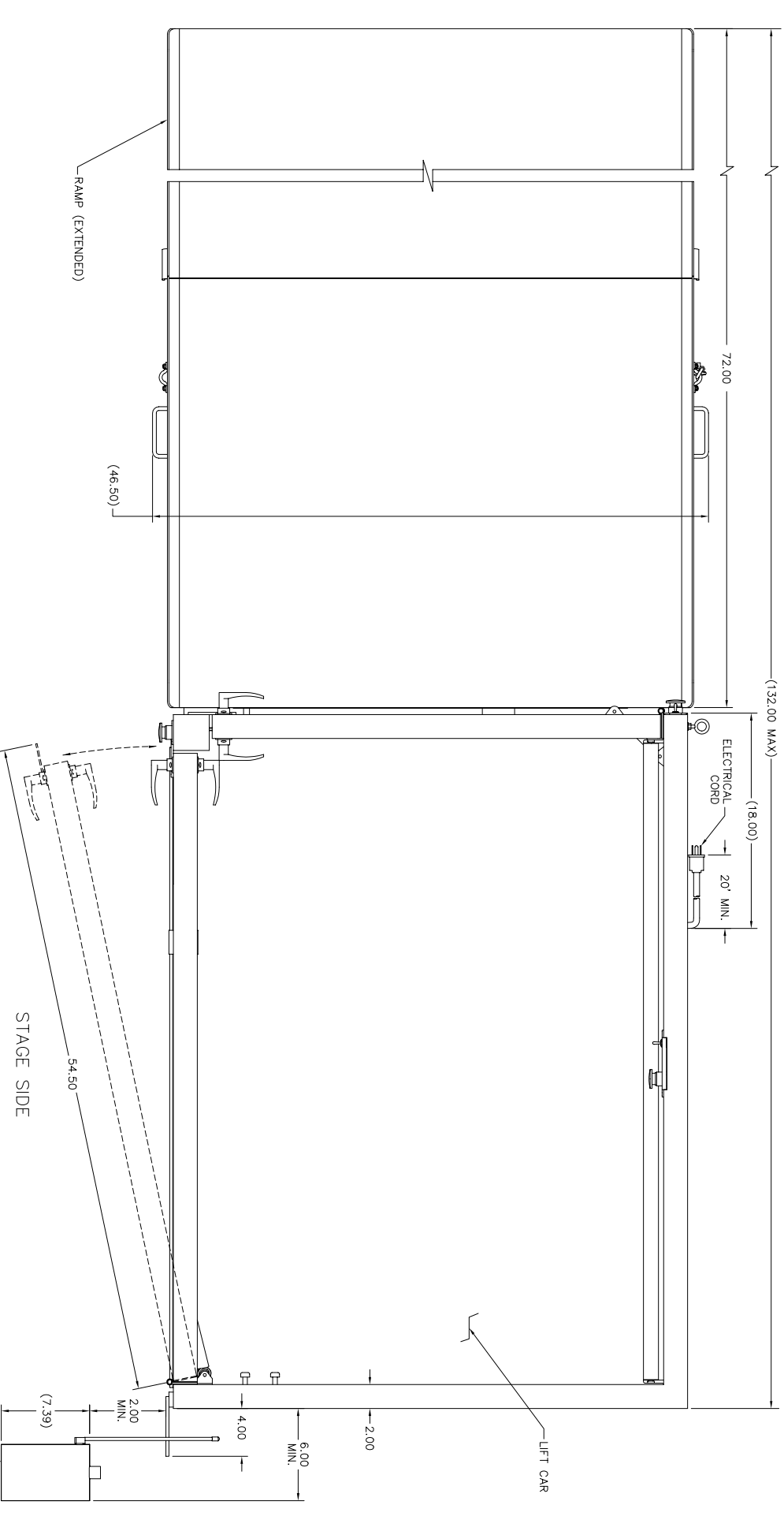
2X  
1.75 ±.12  
(RAMPE HANDLES)  
(OPPOSITE END)

DATE: 2/9/01  
 SHEET: 3  
 PROJECT: 1/3  
 FSCM NO.: 08992  
 DRAWING NO.: SIA-2050ESD  
 REV: F

DATE: 2/9/01  
 SHEET: 3  
 PROJECT: 1/3  
 FSCM NO.: 08992  
 DRAWING NO.: SIA-2050ESD  
 REV: F

THIS DOCUMENT CONTAINS PROPRIETARY INFORMATION AND EXCEPT WITH WRITTEN PERMISSION BY AECOM AND/OR ITS AFFILIATES, NO PART OF THIS DOCUMENT SHALL BE REPRODUCED OR TRANSMITTED IN ANY FORM OR BY ANY MEANS, ELECTRONIC OR MECHANICAL, INCLUDING PHOTOCOPYING, RECORDING, OR BY ANY INFORMATION STORAGE AND RETRIEVAL SYSTEM. THE DOCUMENT SHALL NOT BE SPECIFIED IN ANY CONTRACT.

REVISIONS				
ZONE	TRK	DESCRIPTION	DATE	APPROVED
---	C	ADDED THIS SHEET	1-7-02 EZ	
---	D	NO CHANGE THIS SHEET	11-8-02 EZ	
---	E	UPDATED IAW DOW 03-175-N	MM 8-25-03	
---	F	ADDED ELECTRICAL CORD	MM 2-23-04	



TOP VIEW

DATE 2/9/04 8 7 6 5 4 3 2 1 FILE 94-2050ESD

TITLE: FSCM NO. 08992 SLA-2050ESD  
 PROJECT: 7/3  
 SHEET: 4  
 DATE: 2/9/04