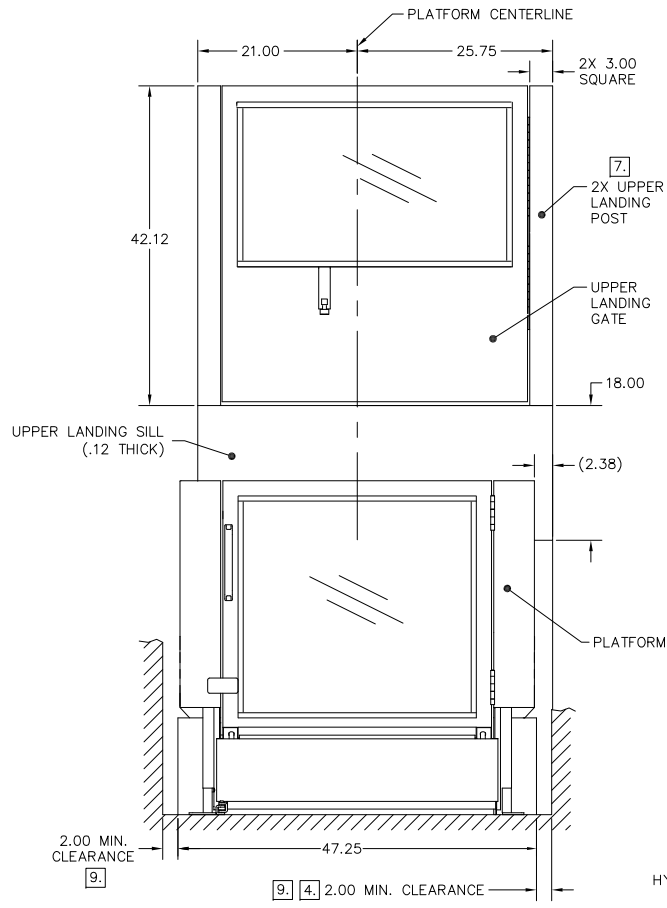


THIS DOCUMENT CONTAINS PROPRIETARY INFORMATION AND EXCEPT WITH WRITTEN PERMISSION BY AGM CONTAINER CONTROLS, INC. SUCH INFORMATION SHALL NOT BE PUBLISHED, DISCLOSED TO OTHERS OR USED FOR ANY PURPOSE AND THE DOCUMENT SHALL NOT BE DUPLICATED IN WHOLE OR IN PART.

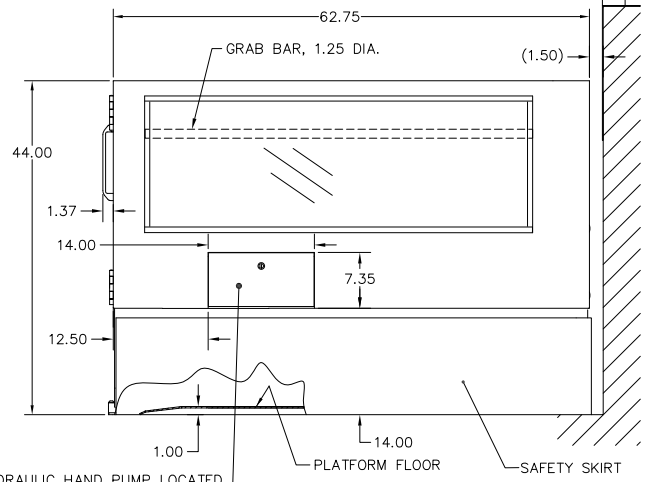
REVISIONS						
ZONE	LTR.	DESCRIPTION	DATE	DATE	APPROVED	
BB	E	ADDED NOTE 8	1-28-09	JMO	2-2-09	EJZ
---	F	REVISED IAW DCN 09-018-N	6-15-09	JMO	6-15-09	EJZ
BB,C4	G	ADDED NEW NOTE AS No. 7 AND 18.00 DIM.	7-29-09	JMO	7-29-09	EJZ

D
C
B
A

- NOTES UNLESS OTHERWISE SPECIFIED:
- DESCRIPTION: ASCENSION VIRTUOSO 5460FG MODEL SERIES VERTICAL WHEELCHAIR LIFT
 - ELECTRICAL & CONTROLS:
 - 120 VAC, 60 HZ, SINGLE PHASE, 15 AMP MINIMUM SERVICE LINE.
 - LOWER LANDING OPERATING CONTROLS PROVIDED IN 1.88" DEEP SINGLE GANG HANDY BOX FOR REMOTE MOUNTING.
 - UPPER LANDING OPERATING CONTROLS PROVIDED AT UPPER LANDING GATE.
 - ALL CONTROL CIRCUITS POWERED BY 12 VDC SOLID STATE LINEAR POWER SUPPLY.
 - LIGHTING: STANDARD AND EMERGENCY LIGHTING TO BE PROVIDED BY OTHERS.
 - (SHEETS 1 & 3) INDICATED MINIMUM CLEARANCE (ON RIGHT SIDE ONLY) SHALL BE INCREASED TO 8.00" FOR HAND PUMP ACCESS WHERE STANDBY POWER OR BATTERY BACKUP IS NOT PROVIDED, AND FOR ALL INSTALLATIONS IN CALIFORNIA.
 - (SHEETS 1 & 2) STANDARD GATE HINGING SHOWN: MIRROR GATES AND GATE DIMENSIONS ABOUT PLATFORM CENTERLINE AS NECESSARY FOR OTHER HINGE CONFIGURATIONS.
 - REINFORCED CONCRETE SLAB REQUIRED, 4" THICK, 3500 PSI, FLAT AND LEVEL WITHIN 1/2".
 - UPPER LANDING POSTS NOT SELF-SUPPORTING. SIDE SUPPORTS AND ATTACHMENT BRACKETS TO SUPPORT 125 LBF TO BE PROVIDED BY OTHERS.
 - ANCHORS TO BE PROVIDED BY INSTALLER.
 - WHERE AN OBSTRUCTION OR SURFACE LOCATED WITHIN 12" OF PLATFORM PRESENTS A PINCHING, SHEARING, OR CRUSHING HAZARD, A SMOOTH CONTINUOUS SURFACE SHALL BE PROVIDED EXTENDING FROM LOWER LANDING TO 42" MINIMUM ABOVE UPPER LANDING.



FRONT END ELEVATION [5]



RIGHT SIDE ELEVATION

SEE SHEET 3

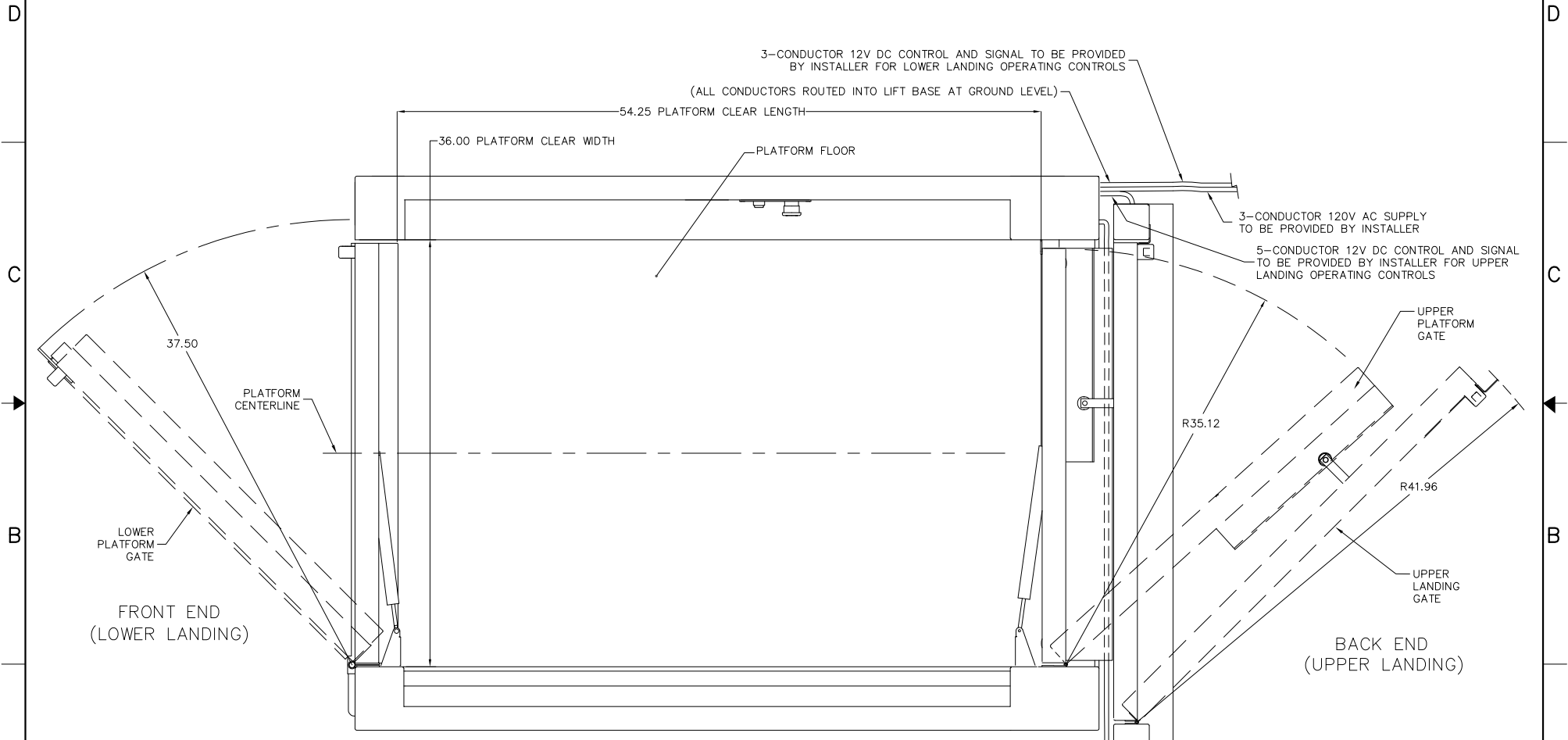
ASCENSION P/N:

PART DASH NO.		QTY. REQ'D PER ASSY.	NEXT FINAL	NEXT ASSY.	USED ON	APPLICATION	INTERPRET DIMENSIONS AND TOLERANCES IAW ANSI Y14.5M-1982 UNLESS OTHERWISE SPECIFIED DIMENSIONS ARE IN INCHES DECIMALS: XX.XX ANGLES: XXX ±.030 DO NOT SCALE DRAWING	DRAWN: M. ONTIVEROS CHECK: E. ZUERCHER APPROVED: E. ZUERCHER DATE: 8-31-07	OGM CONTAINER CONTROLS, INC. P.O. BOX 40020 - TUCSON, ARIZONA 85717-0020 VIRTUOSO 5460FG MODEL SERIES WHEELCHAIR LIFT	TITLE: VIRTUOSO 5460FG MODEL SERIES WHEELCHAIR LIFT SIZE: D FSCM NO.: 08992 DWG. NO.: VIRTUOSO 5460FG SCALE: 1/8 SHEET: 1 OF 3
---------------	--	----------------------	------------	------------	---------	-------------	---	---	---	---

8 7 6 5 4 3 2 1

THIS DOCUMENT CONTAINS PROPRIETARY INFORMATION AND EXCEPT WITH WRITTEN PERMISSION BY AGM CONTAINER CONTROLS, INC. SUCH INFORMATION SHALL NOT BE PUBLISHED, DISCLOSED TO OTHERS OR USED FOR ANY PURPOSE AND THE DOCUMENT SHALL NOT BE DUPLICATED IN WHOLE OR IN PART.

REVISIONS						
ZONE	LTR.	DESCRIPTION	DATE	APPROVED		
---	E	NO CHANGE THIS SHEET	1-28-09 JMO	2-2-09 EJZ		
---	F	REVISED IAW DCN 09-018-N	6-15-09 JMO	6-15-09 EJZ		
---	G	NO CHANGE TO THIS SHEET	7-29-09 JMO	7-29-09 EJZ		



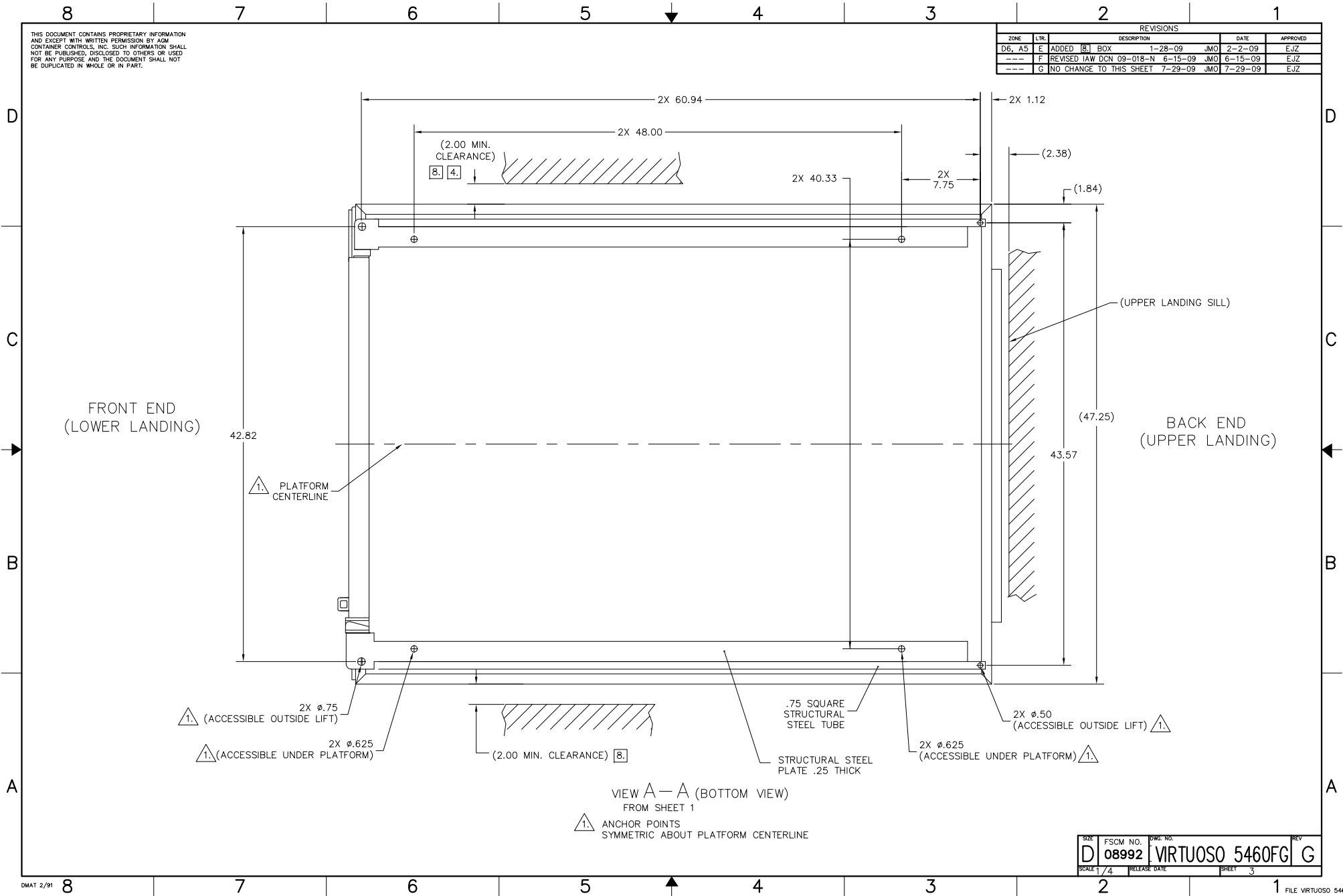
- GATE HINGE CONFIGURATIONS: 5.
- 1. STANDARD GATE HINGING: ALL GATES AS SHOWN.
 - 2. OPPOSITE-HINGED LOWER PLATFORM GATE: MIRROR LOWER PLATFORM GATE ABOUT PLATFORM CENTERLINE.
 - 3. OPPOSITE-HINGED UPPER PLATFORM GATE AND UPPER LANDING GATE: MIRROR UPPER PLATFORM GATE AND UPPER LANDING GATE ABOUT PLATFORM CENTERLINE.
 - 4. ALL GATES OPPOSITE HINGED: MIRROR ALL GATES ABOUT PLATFORM CENTERLINE.

PLAN VIEW

SIZE	FSCM NO.	DRW. NO.	REV
D	08992	VIRTUOSO 5460FG	G
SCALE 1/4	RELEASE DATE	SHEET 2	

THIS DOCUMENT CONTAINS PROPRIETARY INFORMATION AND EXCEPT WITH WRITTEN PERMISSION BY AGM CONTAINER CONTROLS, INC. SUCH INFORMATION SHALL NOT BE PUBLISHED, DISCLOSED TO OTHERS OR USED FOR ANY PURPOSE AND THE DOCUMENT SHALL NOT BE DUPLICATED IN WHOLE OR IN PART.

REVISIONS						
ZONE	LTR.	DESCRIPTION	DATE	DATE	APPROVED	
D6, A5	E	ADDED [8.] BOX	1-28-09	JMO	2-2-09	EJZ
---	F	REVISED IAW DCN 09-018-N	6-15-09	JMO	6-15-09	EJZ
---	G	NO CHANGE TO THIS SHEET	7-29-09	JMO	7-29-09	EJZ



VIEW A - A (BOTTOM VIEW)
FROM SHEET 1

ANCHOR POINTS SYMMETRIC ABOUT PLATFORM CENTERLINE

SIZE	FSCM NO.	DRG. NO.	REV
D	08992	VIRTUOSO 5460FG	G
SCALE	1/4	RELEASE DATE	SHEET 3